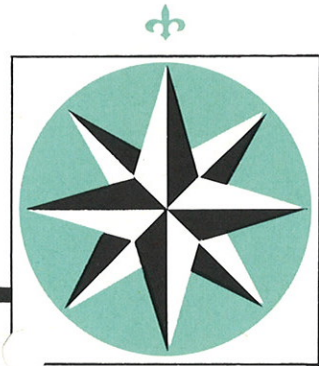


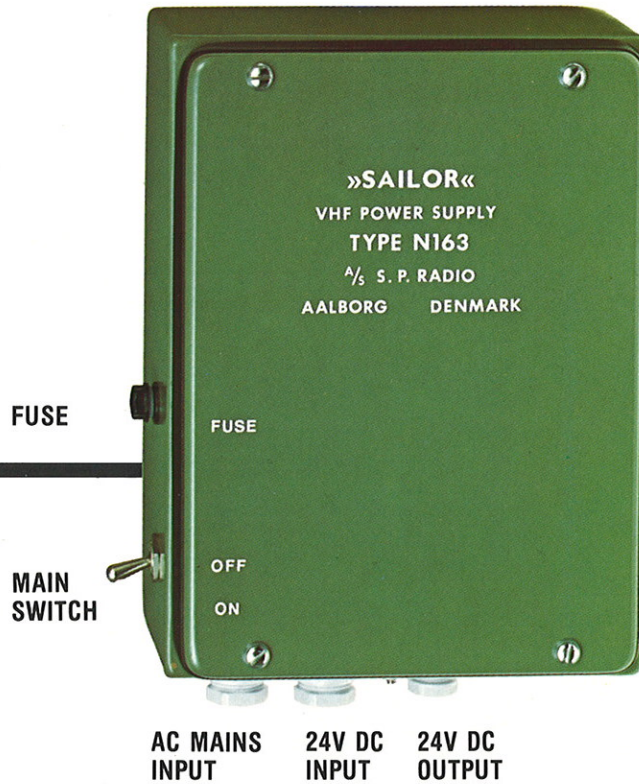
VHF POWER SUPPLY N 163



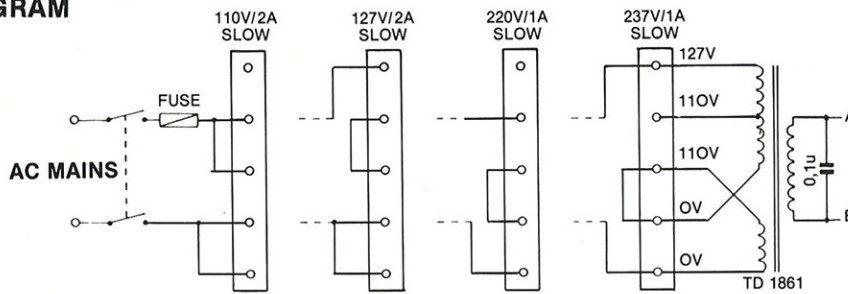
220/110V AC Power Supply for
Sailor VHF Radiotelephones
RT143 RT144 RT145

Option: N163S

is a special version with automatic change
from AC-mains to 24V battery supply.

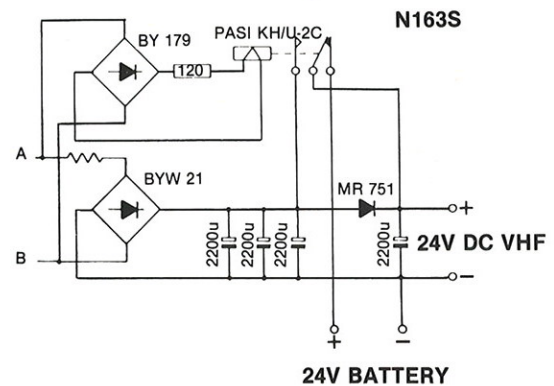
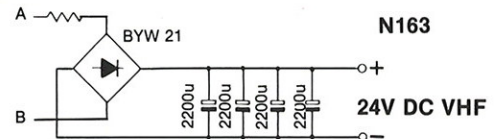
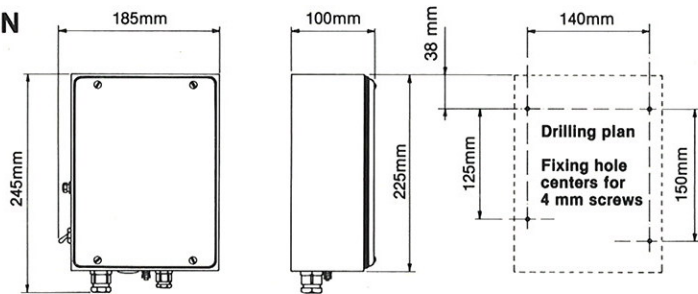


DIAGRAM



SOLDER STRIP ON THE TRANSFORMER

DIMENSION



PARTS LIST

Capacitor 2200uF 40V	ROE	EG 03 MG 422G	S version +	Philips	BY179
Fuse	Wickmann	Slow 1A Ø5 x 20 mm	Rectifier	Motorola	MR751
Fuse holder	Multikomp.	FEP 031-1001	Diode	Philips	2322 212 13121
Main switch	R. Schmidt	145-105	Resistor 120 ohm ±5% 0,5 W	Pasi	KH/U-2C
Rectifier	Motorola	BYW21	Relay		
Transformer	Tradania	TD1861			
Capacitor polyester.	Philips	2322 342 45104			

